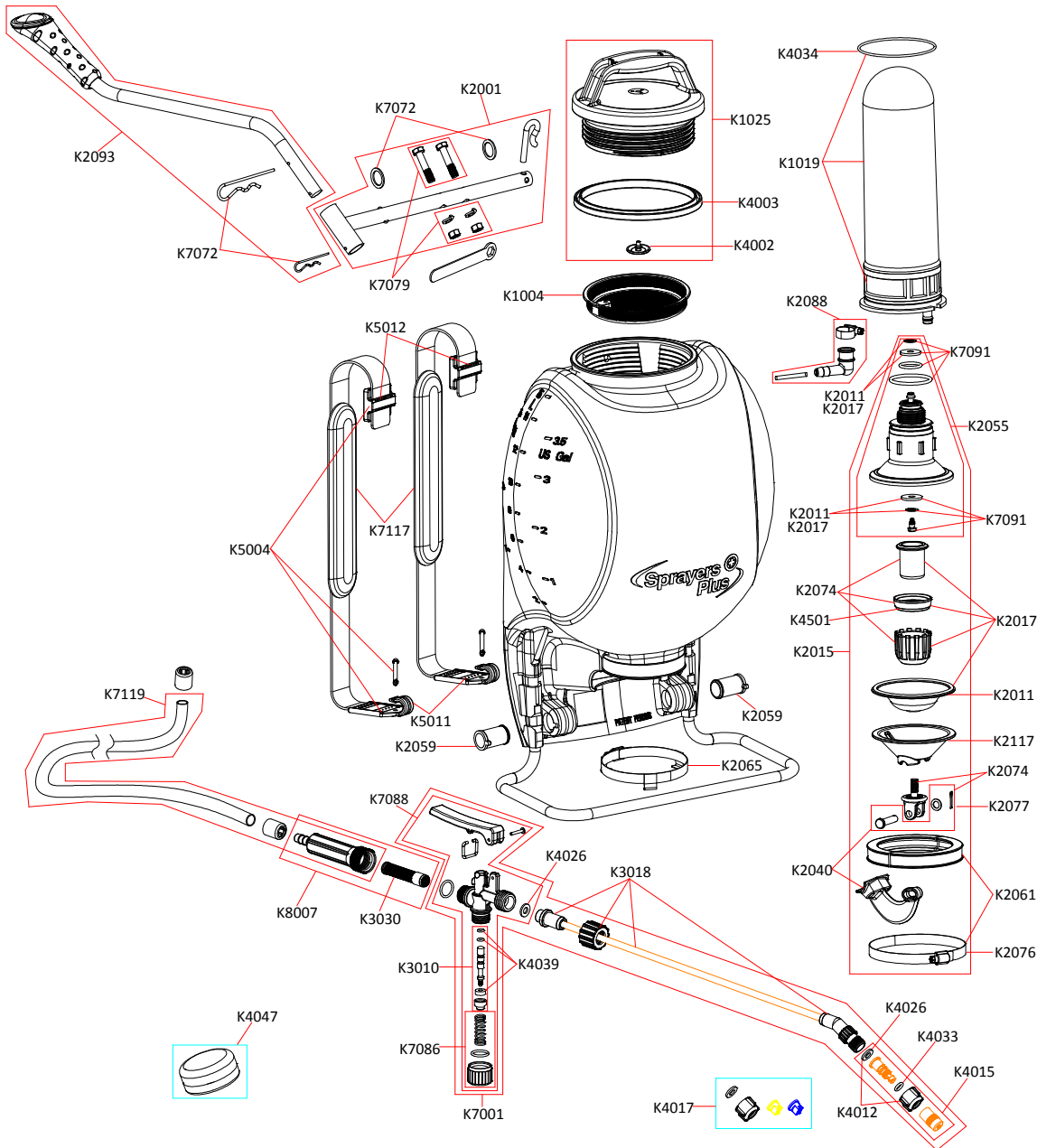


# 103



- K1004 STRAINER
- K1019 PRESSURE CHAMBER
- K1025 BLUE LID & SEAL W/ HANDLE
- K2001 PUMP LEVER (FOLD BACK TYPE) TUBULAR SS
- K2011 DIAPHRAGM & SEALS SET
- K2015 HIGH PRESSURE DIAPHRAGM PUMP MODULE - 103
- K2017 PISTON & DIAPHRAM SET
- K2040 ALUMINUM CRANK WITH SS PIN - 100/103
- K2055 CYLINDER - 101/103
- K2059 NYLON BEARING
- K2061 ALUMINUM HALF MOON W/HOLDING RING
- K2065 RETENTION CLAMP (SS)
- K2074 DIAPHRAGM PUMP MODULE PARTS - 103
- K2076 HOLDING RING (SS)
- K2077 STAINLESS STEEL PIN - 100/101/103
- K2088 90° ELBOW
- K2093 PUMP HANDLE W/ PLASTIC GRIP (FOLD BACK TYPE)
- K2117 BLUE DIAPHRAGM PROTECTOR -103
- K3010 BRASS SPINDLE SET
- K3018 BRASS SPRAY WAND - 20"
- K3030 SPRAY GUN FILTER
- K4002 CHECK VALVE
- K4003 SEAL FOR LID - 6"
- K4012 NOZZLE HOLDER (CONSTRUCTION)
- K4015 COMPLETE ADJUSTABLE BRASS NOZZLE (VITON)
- K4017 PLASTIC SPRAY TIP SET
- K4026 WASHER SET FOR SPRAY GUN - VITON -
- K4033 VITON O-RING FOR ADJUSTABLE NOZZLE
- K4034 O-RING FOR PRESSURE CHAMBER
- K4039 O-RING, & WASHER SET FOR SPINDLE
- K4047 SILICONE GREASE
- K4501 PUMP PLUNGER (VITON)
- K5004 BUCKLE & HOOK FOR SHOULDER STRAP
- K5011 BUCKLES FOR SHOULDER STRAPS
- K5012 HOOKS FOR SHOULDER STRAPS
- K7001 SPRAY GUN A6
- K7072 R-PIN / WASHER SET
- K7079 SCREW & NUT SET (SS)
- K7086 PLUG SET - SPRAY GUN
- K7088 SPRAY GUN A PART SET
- K7091 DIAHPRAM PUMP MODULE PARTS
- K7117 Shoulder Strap(new)
- K7119 HOSE SET W/ CLAMPS
- K8007 Grip Set