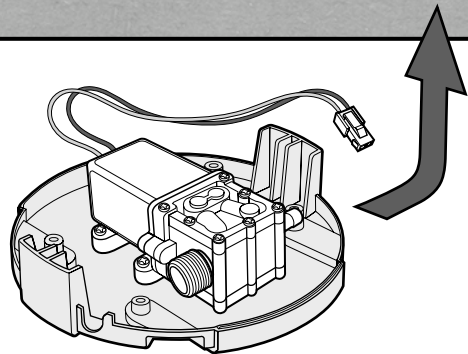
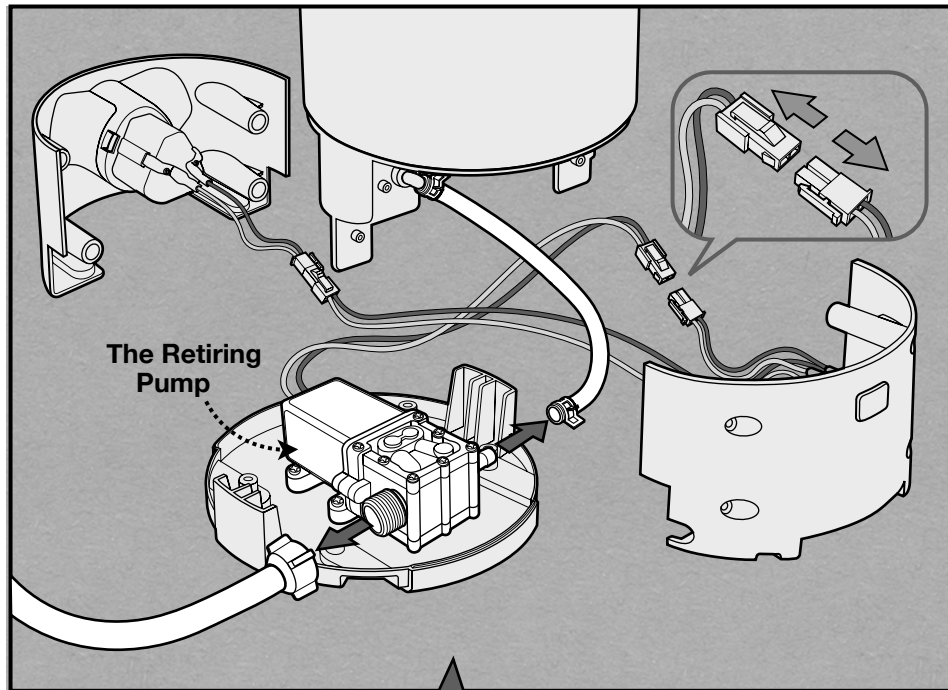


Replacing PUMP 2.0



New Pump Assembly

Cut the cable-tie and unplug the electrical socket from the pump. (Similar to Step-4 for PUMP 1.0)

Loosen the hose clamps and detach the hoses from the tank. (Similar to Step-5 for PUMP 1.0)

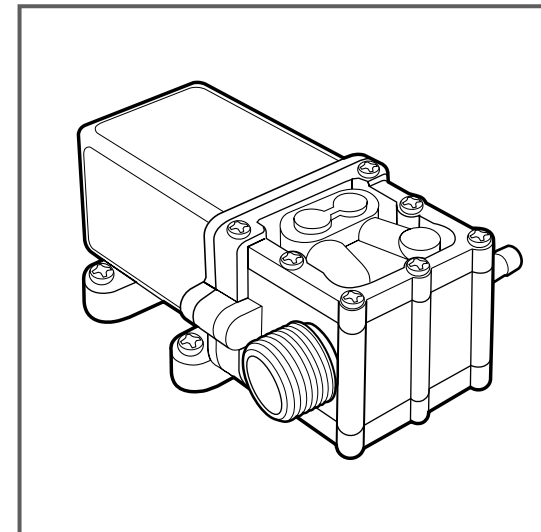
Unscrew the output hose.

Replace the **pump assembly** with the new one and reconnect everything (Step-8 to Step-12 in page 7, 9, 10).

Note: The replacement pump comes installed on a plastic base. If you prefer to reuse the previous plastic base, you may swap the pumps by undoing and redoing the 4 screws.



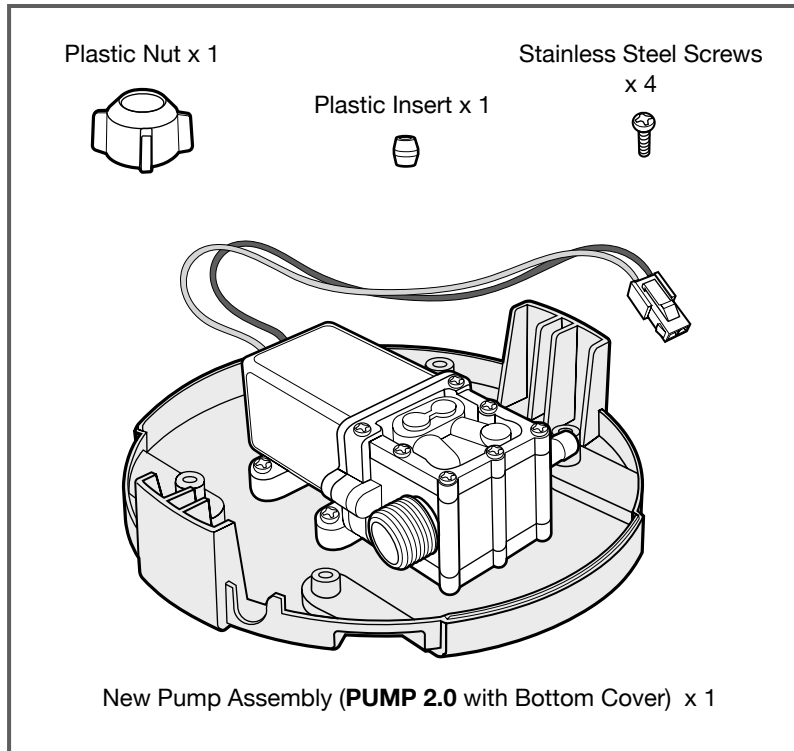
PUMP REPLACEMENT INSTRUCTIONS



web: www.sprayers-plus.com

email: info@sprayers-plus.com

Parts in the package

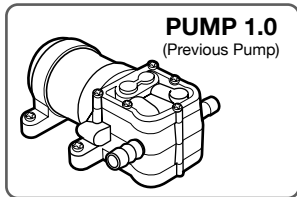
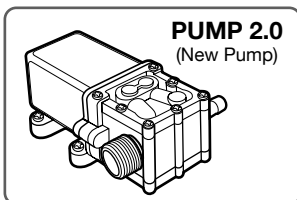


NOTE

This new pump (**PUMP 2.0**) is an improved version which connects to the hose with a plastic nut. This new pump requires a new plastic base which comes with the pump.

The plastic base for the previous version (**PUMP 1.0**, which uses a hose clamp to connect the hose) does not work with the new pump (**PUMP 2.0**).

Retiring **PUMP 1.0** retires its plastic base too. Please follow the instructions accordingly.

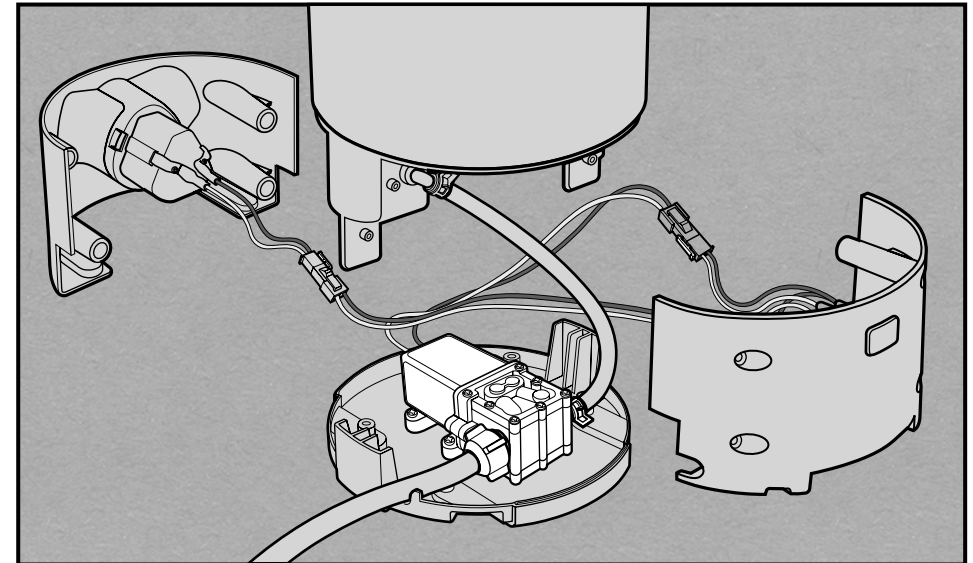


Identify the version of Pump you are replacing:

Follow Step-1 to Step-3 (page 4) to open the product

PUMP 2.0

has a rectangular plastic housing



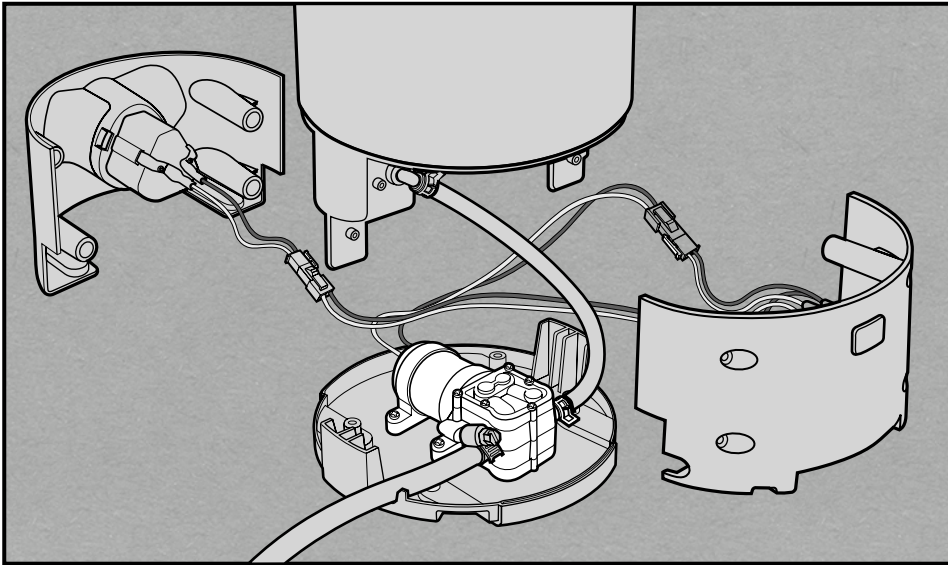
To replace the pump assembly with **PUMP 2.0**, please follow the instructions in page 11

Identify the version of Pump you are replacing:

Follow Step-1 to Step-3 (page 4) to open the product

PUMP 1.0

has a cylindrical metal housing

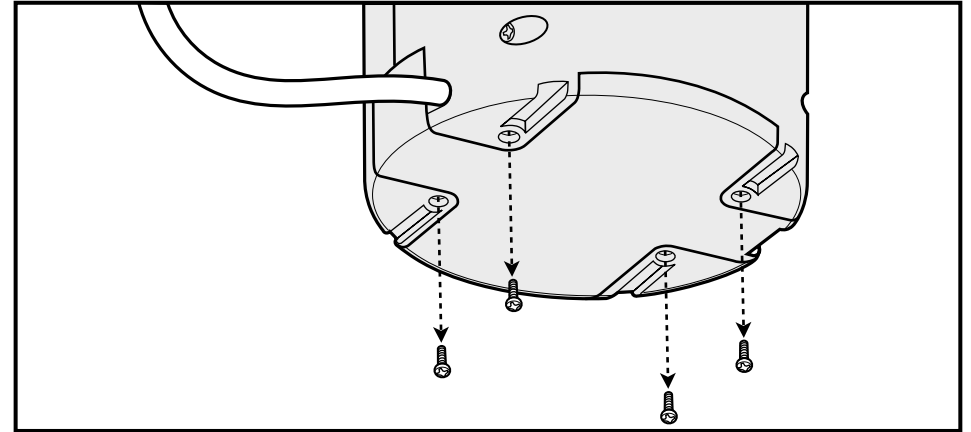


To replace the pump assembly with PUMP 1.0,
please follow the instructions (from page 5 to 10)
Step-4 to Step-12

Step-1: Remove the battery and empty the tank.

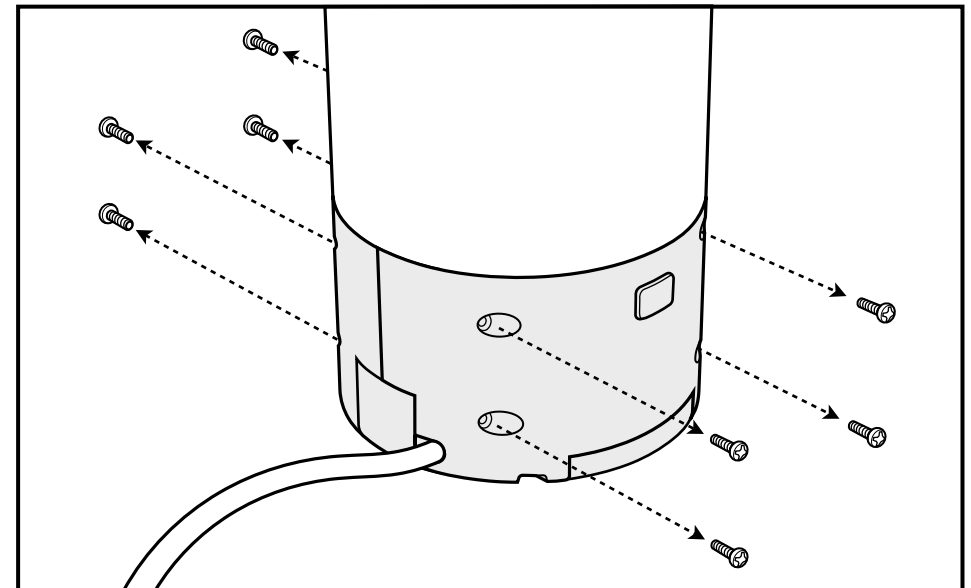
Step-2

Remove the 4 screws from the bottom cover.



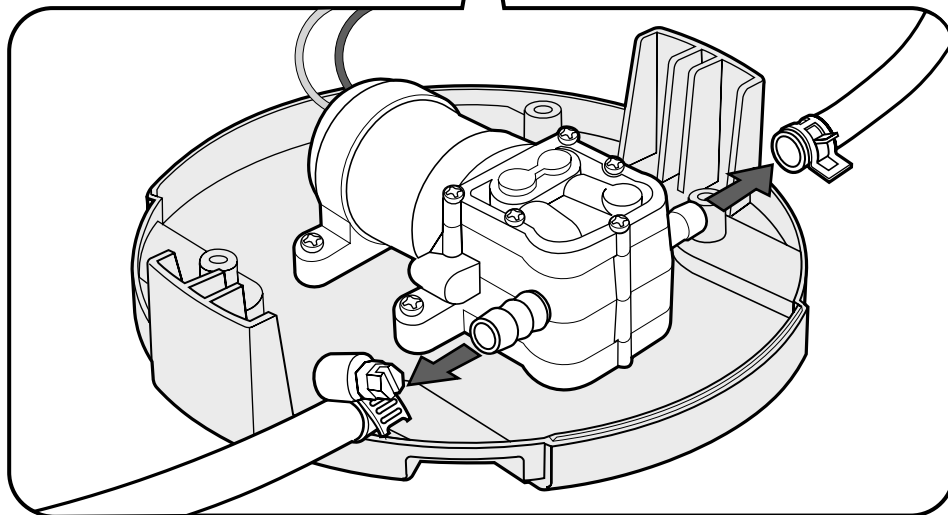
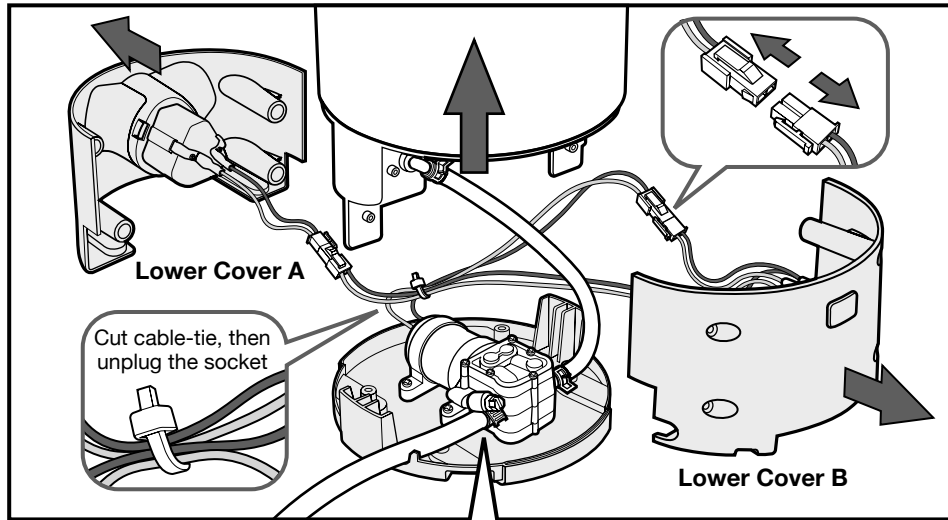
Step-3

Remove the 8 screws (4 from each side) from the 2 lower covers.



Step-4 (Replacing PUMP 1.0)

Remove the two lower covers and the plastic bottom from the tank, cut the cable-tie and unplug the electrical socket from the pump.

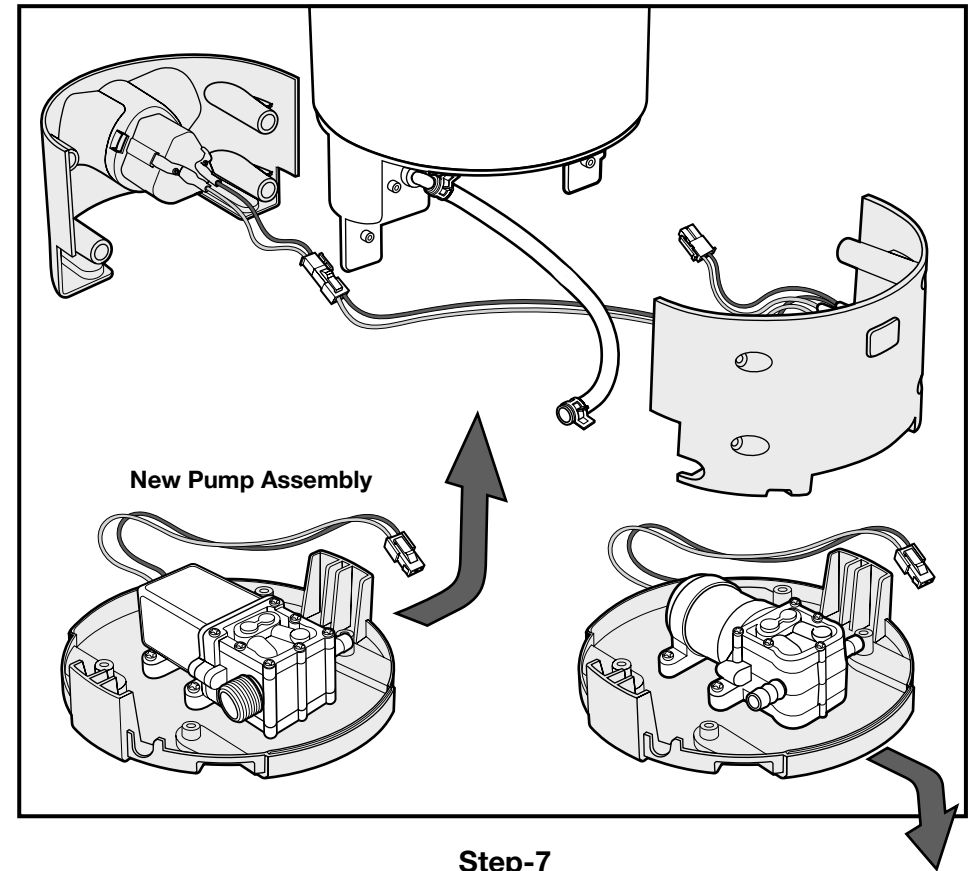


Step-5

Loosen the hose clamps and detach the two hoses from the pump.

Step-6 (Replacing PUMP 1.0)

Bring the **new pump assembly** near the tank.

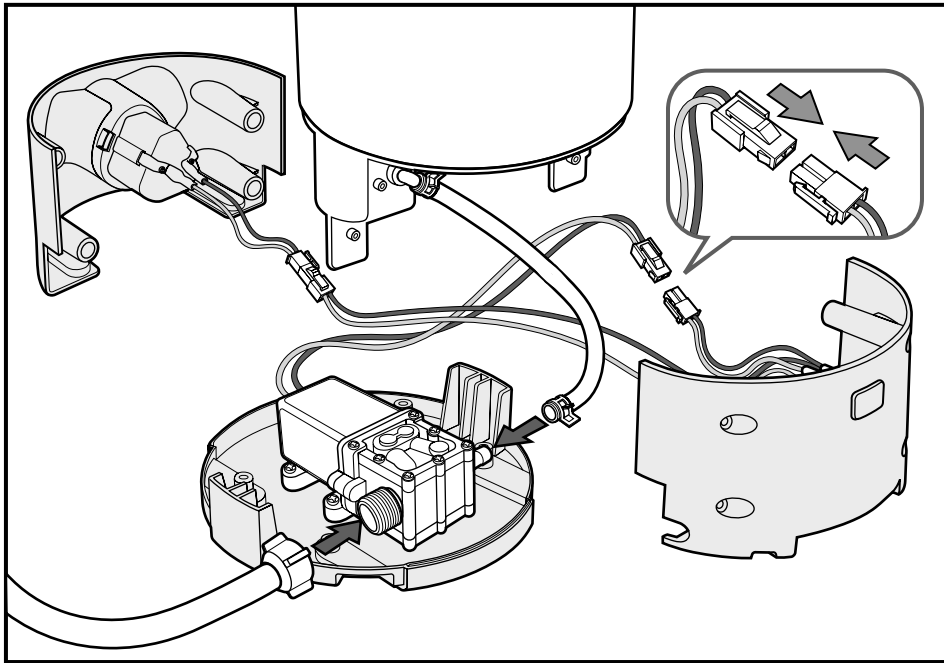


Step-7

Dispose the retiring pump assembly appropriately (to recycling facility if available).

Step-8

Connect the electrical socket to the new pump.



Step-9

Connect the two hoses to the pump.

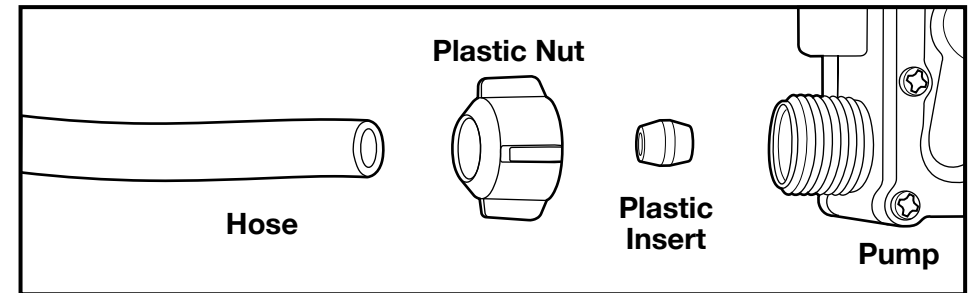
Note:

To re-use the hose (that connects the wand), remove the hose clamp after disconnecting it from the retiring pump, install the plastic nut and plastic insert properly so that it can screw to the pump.

Please follow the instructions next page accordingly.

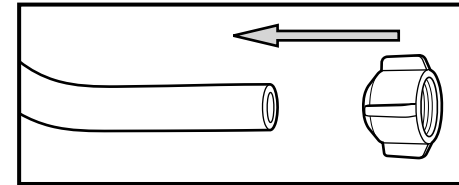
Installing the hose to the new pump assembly:

Have the parts ready.

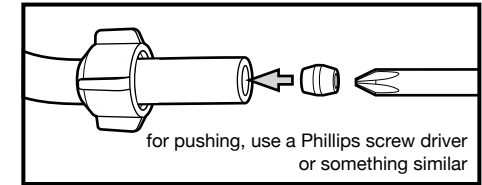


Note: the new pump assembly connects to the hose with screw threads, the hose clamp from the previous assembly is not needed anymore, you can remove it.

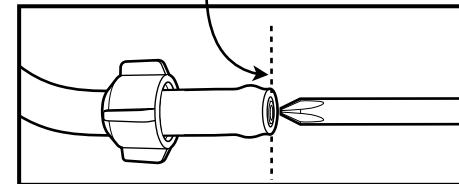
1) Slide plastic nut through the hose



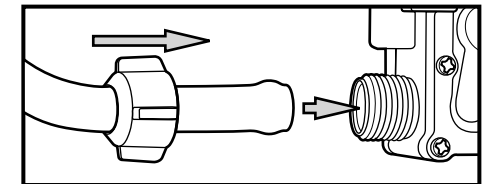
2) Push plastic insert into the hose



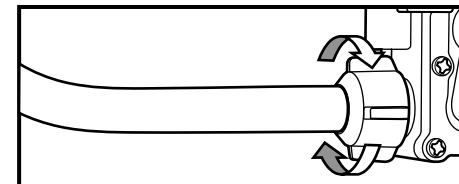
3) Plastic insert need to be pushed in till it is flush to the edge of the hose



4) Insert the hose into the pump: push until it stops going further



5) Slide the plastic nut towards the pump and tighten it



After installing the two hoses to the pump, put some water into the tank and test run it to see if there is any leakage. If so, reinstall until the leakage is fixed.

Once everything runs accordingly, you can go to the next step.

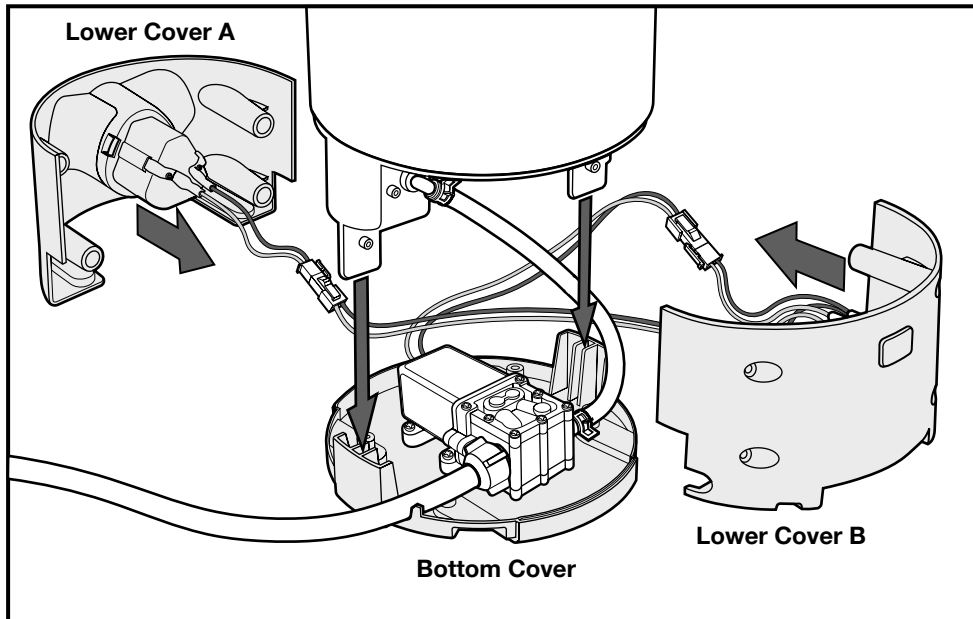
Step-10

Getting ready for the final steps to put together the rest of the parts:

Place the tank onto the bottom cover of the new pump assembly - align and insert the plastic slaps at the bottom of the tank to the central slot in the plastic wings of the pump assembly.

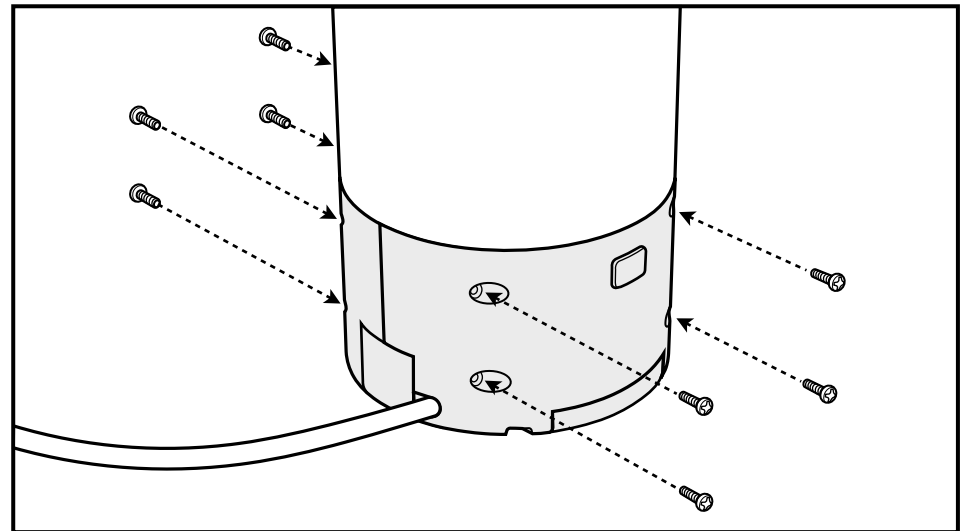
If necessary, use cable-tie to organize the electrical wires.

Then close the lower covers.



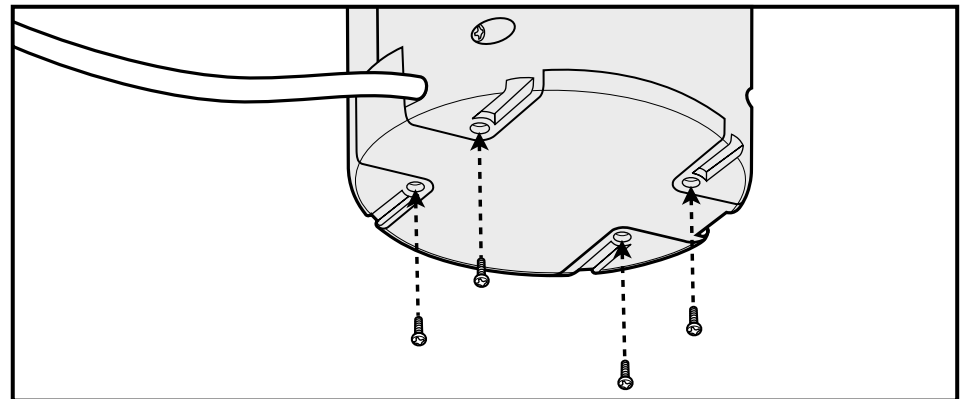
Step-11

Fasten the eight screws (four to each side) to secure the lower covers to the tank.



Step-12

Fasten the last four screws to secure the new pump assembly (the plastic bottom) to the tank.



You are all set and ready to enjoy using the product !