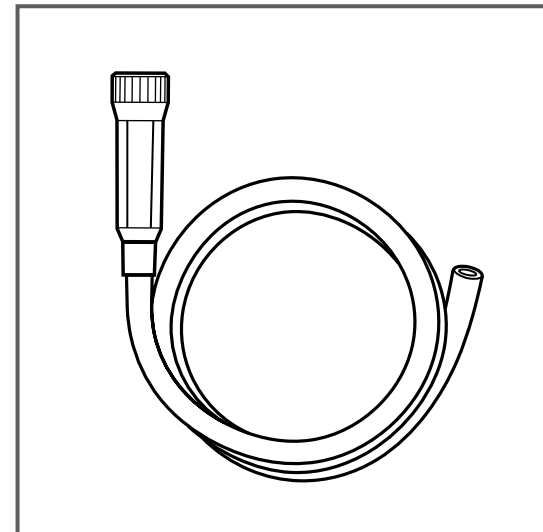


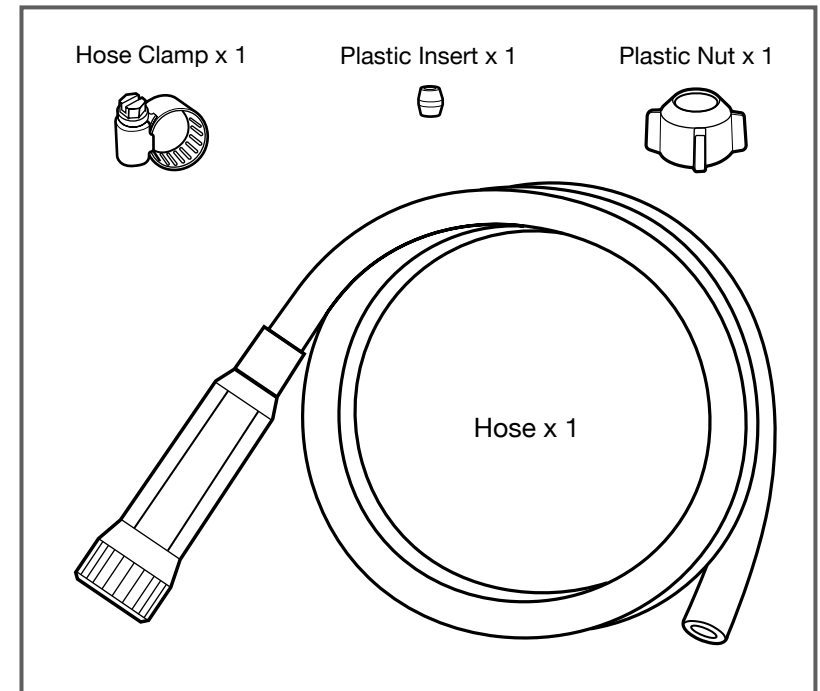


HOSE REPLACEMENT INSTRUCTIONS



web: www.sprayers-plus.com
email: info@sprayers-plus.com

Parts in the package



GENERAL INSTRUCTIONS (READ THESE FIRST)

This hose works with two types of Sprayers Plus products:

If you are connecting it to a **product without an electric pump**, you can start installing the hose: push it all the way along the connector and use the hose clamp to tighten it. You do not need the plastic insert and plastic nut, you can disregard them.

Note: The following pages does not apply to what you are working on.

If you are connecting it to a **product with an electric pump**, follow the instructions in this manual accordingly:

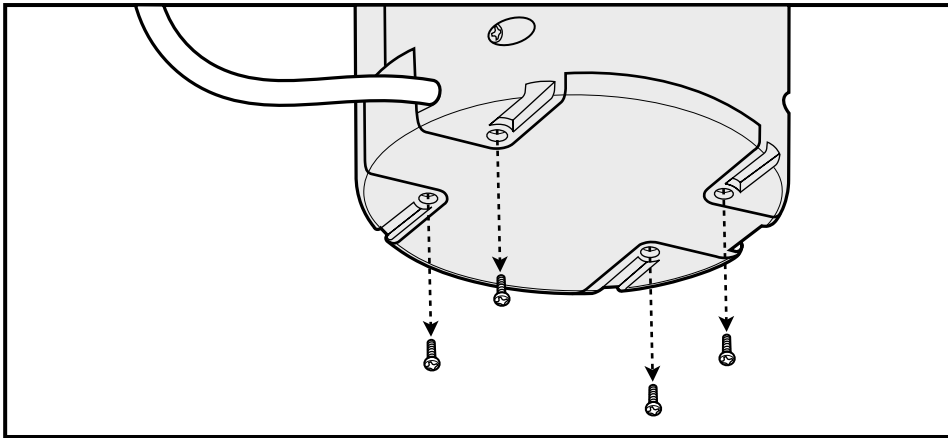
- For the electric pump with a regular “push-in” hose connector, use the hose clamp to tighten the hose. You can disregard the plastic nut and the plastic insert.
- To connect to the electric pump with a screw-threaded hose connector, you will use the plastic nut and plastic insert. You can disregard the hose clamp.

Hose Replacement - getting to the hose-pump connection

Step-1: Remove the battery and empty the tank.

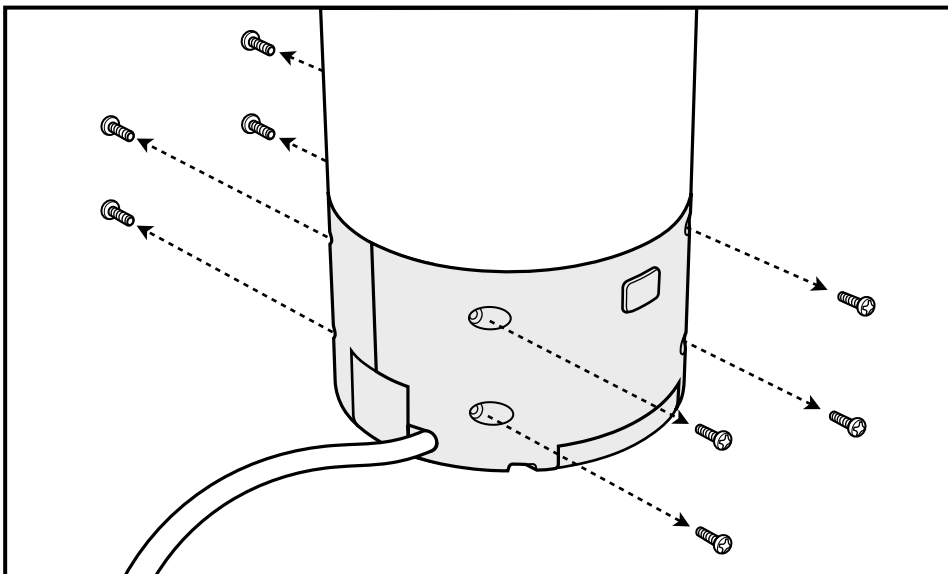
Step-2

Remove the 4 screws from the bottom cover.



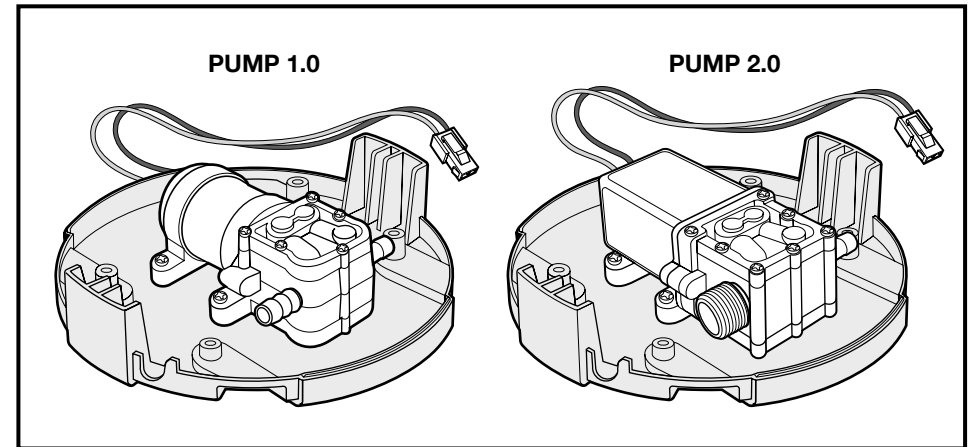
Step-3

Remove the 8 screws (4 from each side) from the 2 lower covers.



NOTE

When the lower covers are opened, you will see one of the two models of pump (see diagram below).

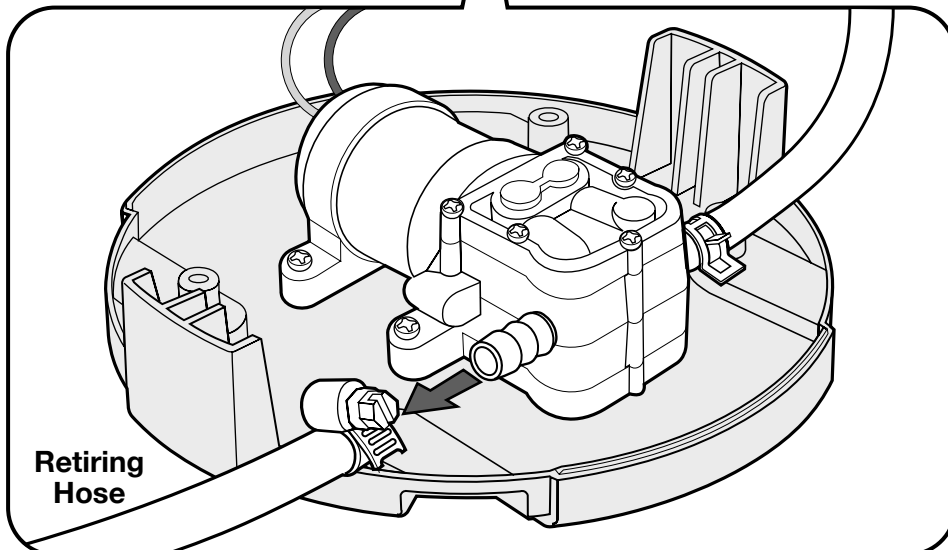
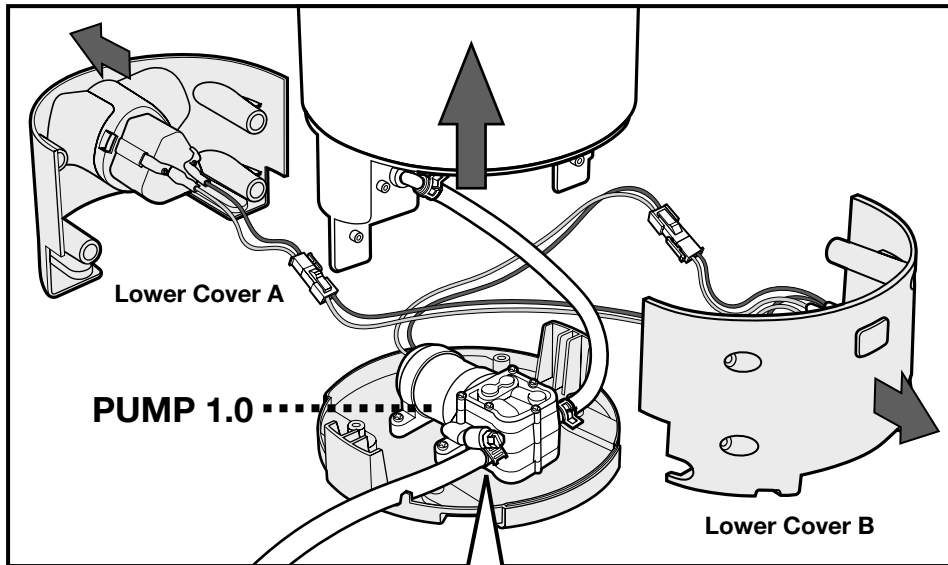


The coming pages first explains connecting the new hose to PUMP 1.0 (using the hose clamp), then explains connecting the new hose to PUMP 2.0 (using the plastic nut and plastic insert).

Please follow accordingly.

Connecting the new hose to PUMP 1.0

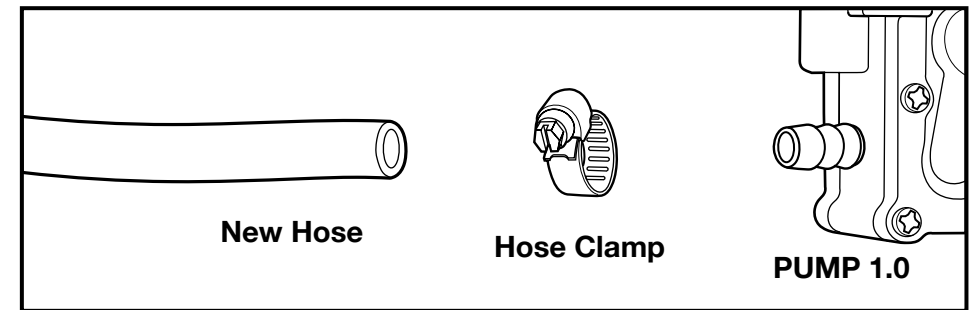
Open the two lower covers (and the plastic bottom from the tank if necessary) to get access to remove the retiring hose from the pump, which uses a **hose clamp** to tighten the hose.



Loosen the hose clamps and detach the retiring hose from the pump.

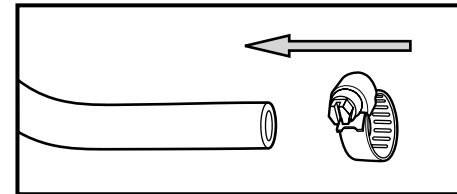
Connecting the new hose to PUMP 1.0

First, have the parts ready.

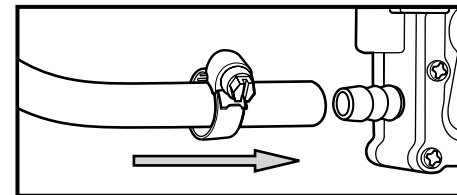


Use the hose clamp to secure the new hose to the plastic outlet of PUMP 1.0. The plastic nut and plastic insert in the package are not needed, you can disregard them.

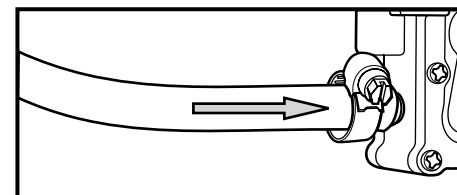
1) Slide hose clamp through the new hose



2) Push the new hose to fit to the plastic outlet of the pump



3) Slide the hose clamp towards the pump (with the hose covering at least 3/4 of the plastic outlet) and tighten it

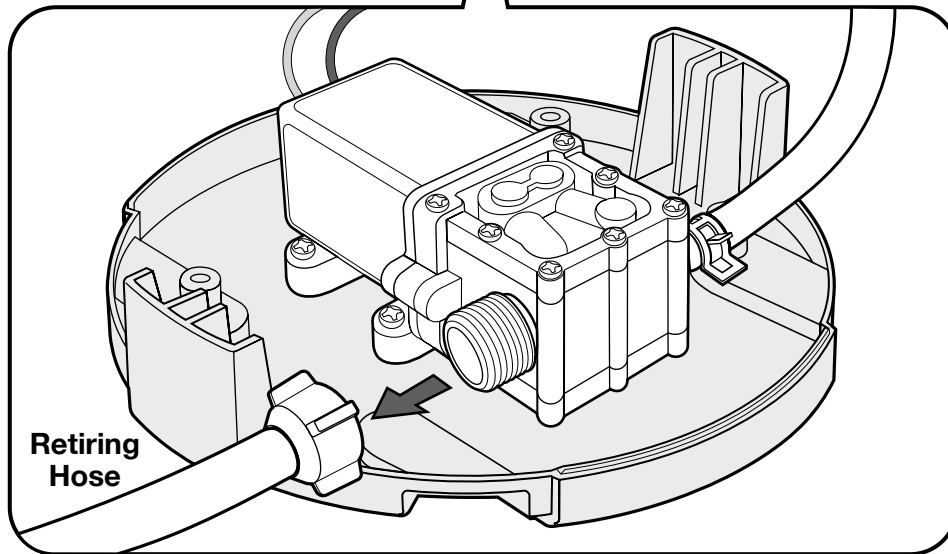
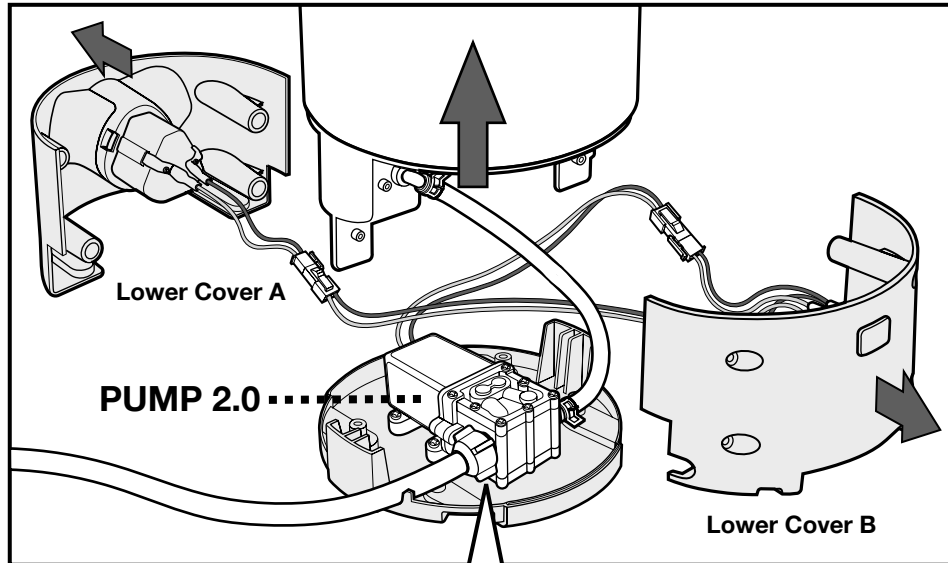


After connecting the new hose to the pump, put some water into the tank and test run it to see if there is any leakage. If so, reinstall until the leakage is fixed.

Once everything runs accordingly, you can go to "Finishing".

Connecting the new hose to the PUMP 2.0

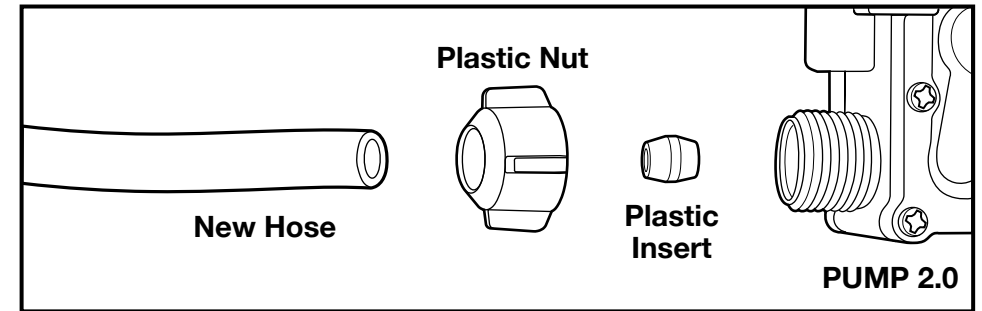
Open the two lower covers (and the plastic bottom from the tank if necessary) to get access to remove the retiring hose from the pump, which uses the **plastic nut** to tighten the hose.



Loosen the plastic nut and detach the retiring hose from the pump.

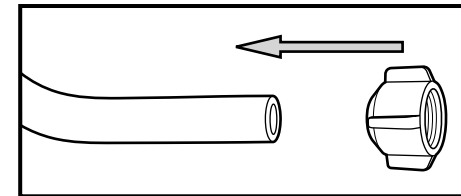
Connecting the new hose to the PUMP 2.0

First, have the parts ready.

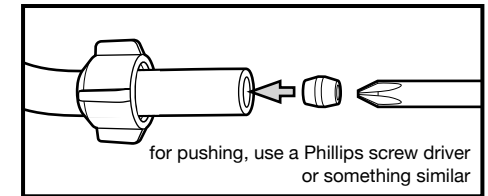


Note: the new hose connects to PUMP 2.0 with the screw threaded plastic nut; the hose clamp in the the package is not needed, you can disregard it.

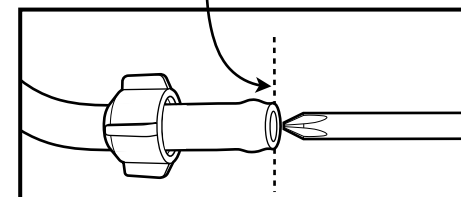
1) Slide the plastic nut through the new hose



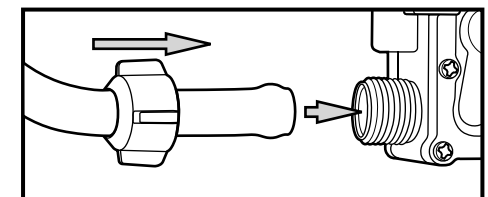
2) Push the plastic insert into the new hose



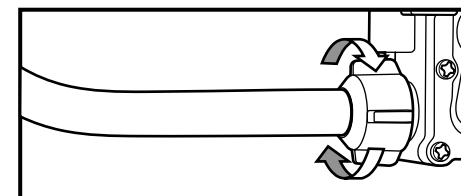
3) The plastic insert need to be pushed in till it is flush to the edge of the new hose



4) Insert the new hose into the threaded outlet of the pump: push until it stops



5) Slide the plastic nut towards the pump and tighten it



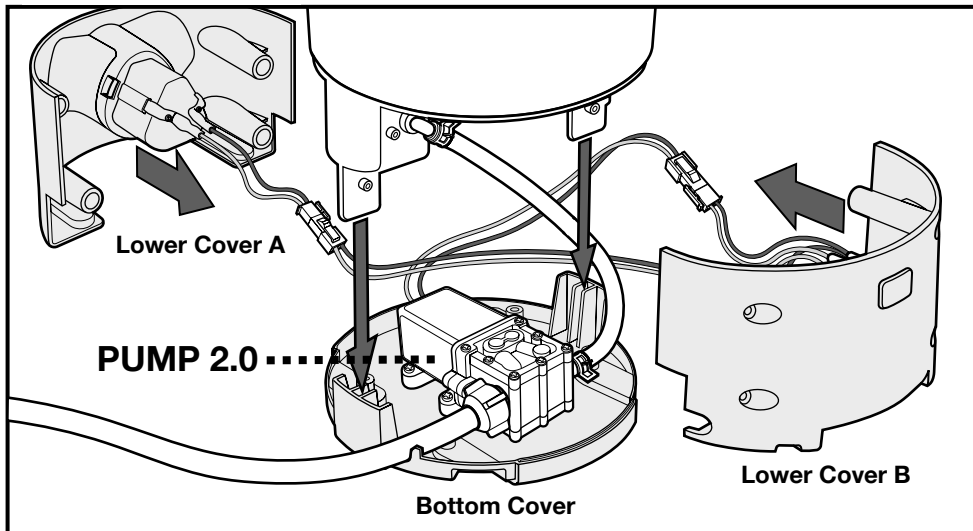
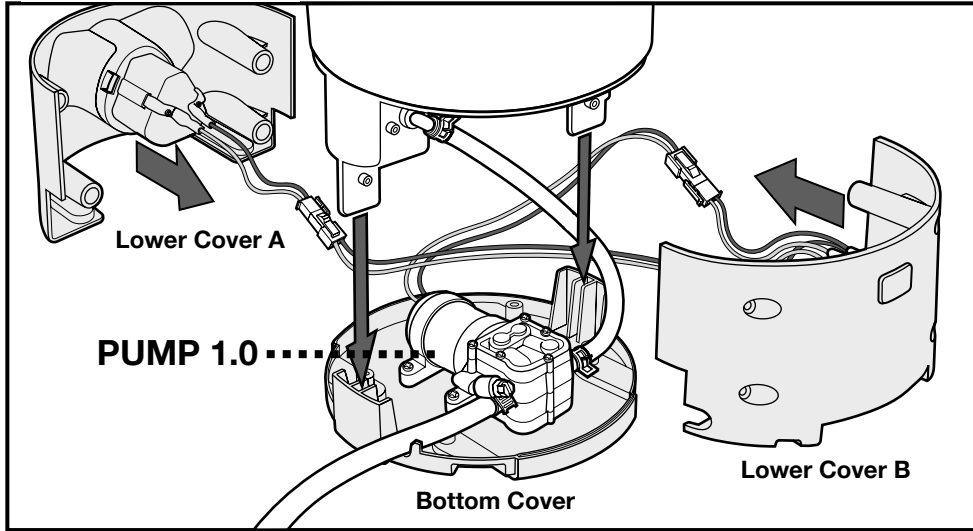
After installing the new hose to the pump, put some water into the tank and test run it to see if there is any leakage. If so, reinstall until the leakage is fixed.

Once everything runs accordingly, you can go to "Finishing".

Finishing - put together what was taken apart #1

Place the tank onto the bottom cover of the pump assembly (either **PUMP 1.0** or **PUMP 2.0**) - align and insert the plastic slaps at the bottom of the tank to the central slot in the plastic wings of the pump assembly.

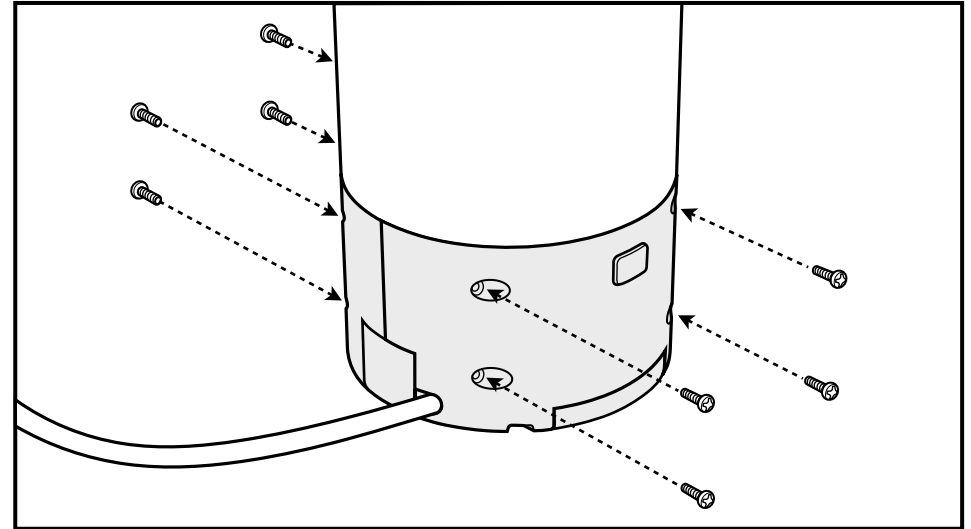
Then close the lower covers.



Finishing - put together what was taken apart #2

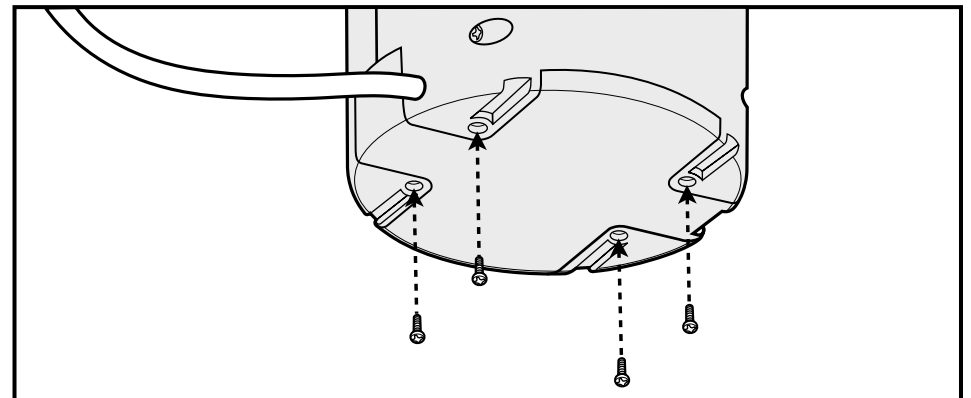
Step-1

Fasten the eight screws (four to each side) to secure the lower covers to the tank.



Step-2

Fasten the last four screws to secure the new pump assembly (the plastic bottom) to the tank.



You are all set and ready to enjoy using the product !